

TD-2000

3D Intelligent Sensor



TD-2000 embeds data capturing, stereo vision analytics and deep learning technology into one single device, which represents state-of-the-art technology and next generation video sensor for traffic intelligence purpose. Compared to other 3D sensors, its patented technology based on deep learning renders it superior in accuracy as it incessantly improves its count quality over time with the sensor being deployed over time.

- Deep learning enhanced 3D sensor with powerful performance and continuously improving accuracy
- An integrated platform to collect and analyze a wide range of customer behavior data in both indoor and outdoor environments
- Robust feature set supporting your multiple applications and systems' integration

With high data accuracy and low sensitivity to variations in illumination, TD-2000 is ideal for use in both indoor and outdoor environments and any levels of traffic flow. Brick-and-mortar businesses and organizations can use the sensor for applications such as people counting and tracking, passers-by and dwell statistics, zone occupancy and hot spots visualization, distinguishing between adults and children, optimizing queue operation, etc. Besides, the traffic intelligence data of the sensor with open interface can be easily integrated with your existing systems including ERP, CRM, Business Intelligence and the 3rd party applications such as mobile applications, digital signage etc.

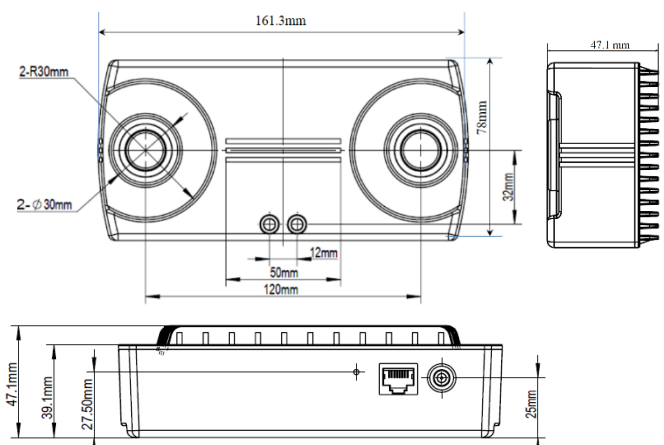
Specifications

HARDWARE	
Materials and Color	(White) Shell: Flame Retardant Polycarbonate (UL94 V-0 Flame Class Rating or Equivalent) (Black) Backplane: Heat Dissipation Aluminum
Dimensions	Device: 162mm x 78mm x 48mm Package Box: 204mm x 107mm x 70mm
Weight	Device: 344g; Packaged Device: 440g
Lens Options	2.2mm, 8.0mm, 12.0mm wide-angle lens
Storage	8GB EMMC Flash and 2GB DDR3 Memory
Power	Power over Ethernet or DC 5V (2A)
LED	2 tri-state LED
RTC working time after a power outage	Minimum 3 days
NETWORK	
Cabling	Category 5e
Ethernet	Single channel 10/100Mb Ethernet
IP Addressing	DHCP or Static IP
Data transmission protocols	HTTP, FTP, HTTPs, FTPs
Software upgrade	HTTP
PARAMETERS	
Environment	0-50° temperature and 20%-80% relative humidity for properly working
Mounting Height	2.4m - 5m as standard (can support up to 30m with custom lens when needed)
Mounting Angle	Horizontal or tilt*

*Up to 45°. Tilt installation may degrade counting accuracy.

Key Features

- All-in-one platform embedding data capturing, deep learning and stereo vision analytics
- Improving accuracy over time in actual scenarios based on advanced deep learning
- Low requirement on lighting (≥ 2 Lux), applicable for use both indoor and outdoor
- Distinguishing between adults and children
- Filtering non-traffic objects like shopping carts, mannequins, shadows, reflections, etc.
- Ability to incorporate data from multiple sensors for people counting in a large area
- Support of tilt mounting, flexible mounting brackets for unobtrusive installation
- Supports scheduled streaming of digital video output remotely for count accuracy validation
- Web portal for local and remote management
- Open API for easy system integration
- Up to 16 discrete zones for metric collection
- Low bandwidth requirement by transmitting data through Ethernet
- Internal storage stores configuration settings and at least 90 days of data
- Data packaged in XML packets and delivered via HTTP/HTTPs, FTP/FTP



For enquires please send email to info@tdintelligence.com

www.tdintelligence.com